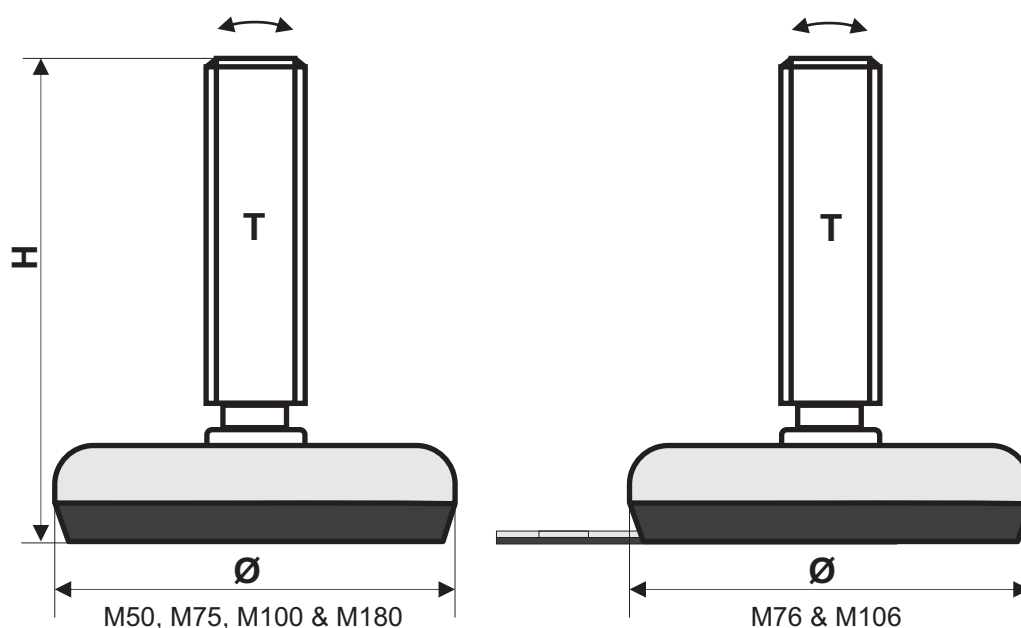
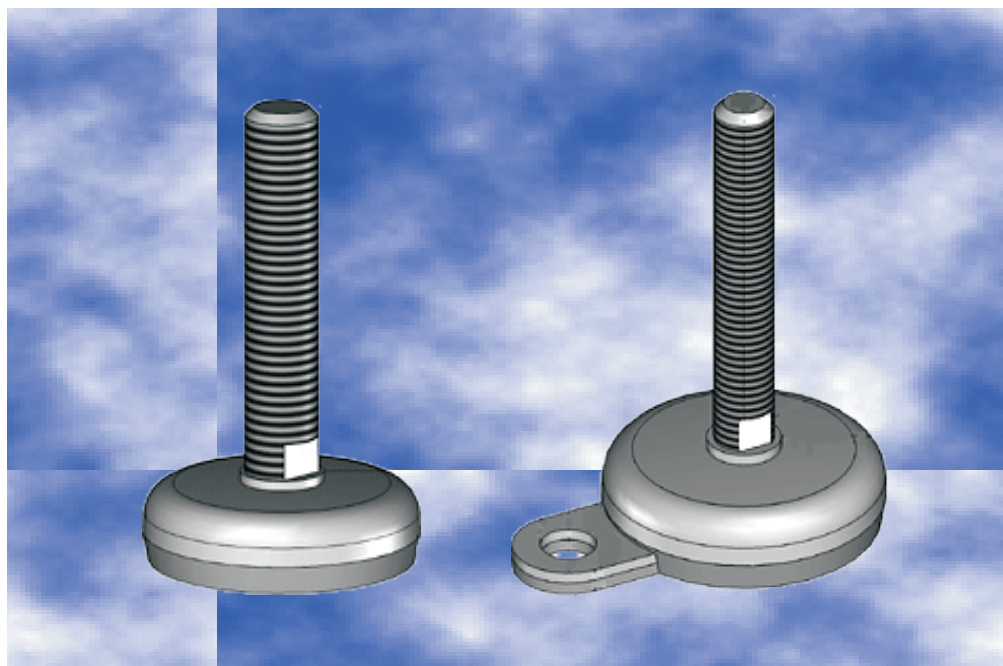


# SCALEOMATIC®

# MF



Type	Max load	T	Ø	H	Fixing
MF-50	300 kg	M12	50 mm	51 mm	
MF-M75	800 kg	M12	75 mm	53 mm	
MF-M76	800 kg	M12	75 mm	53 mm	X
MF-M100	2000 kg	M12	100 mm	53 mm	
MF-M106	2000 kg	M12	100 mm	53 mm	X
MF-M180	5000 kg	M20	180 mm	101 mm	

Stainless Steel M12/M20 nut included